



Volvo Construction Equipment

BL61B, BL71B

VOLVO BACKHOE LOADERS 7,08-9,80t 86-100hp



A passion for performance.

At Volvo Construction Equipment, we're not just coming along for the ride. Developing products and services that raise productivity – we are confident we can lower costs and increase profits for industry experts. Part of the Volvo Group, we are passionate about innovative solutions to help you work smarter – not harder.

Helping you to do more.

Doing more with less is a trademark of Volvo Construction Equipment. High productivity has long been married to low energy consumption, ease of use and durability. When it comes to lowering life-cycle costs, Volvo is in a class of its own.

Designed to fit your needs.

There is a lot riding on creating solutions that are suited to the particular needs of different industry applications. Innovation often involves high technology – but it doesn't always have to. Some of our best ideas have been simple, based on a clear and deep understanding of our customers' working lives.



You learn a lot in 180 years.

Over the years, Volvo has advanced solutions that have revolutionized the use of construction equipment. No other name speaks Safety louder than Volvo. Protecting operators, those around them and minimizing our environmental impact are traditional values that continue to shape our product design philosophy.

We're on your side.

We back the Volvo brand with the best people. Volvo is truly a global enterprise, one that is on standby to support customers quickly and efficiently – wherever they are.

We have a passion for performance.



Volvo Trucks



Renault Trucks



Mack Trucks



UD Trucks



Volvo Buses



Volvo Construction Equipment



Volvo Penta

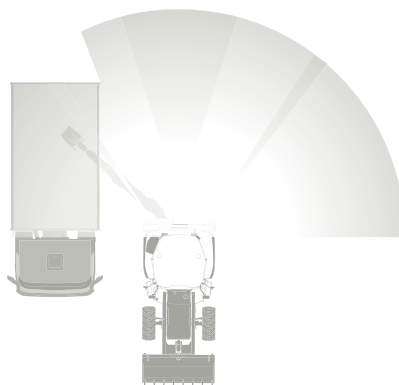


Volvo Financial Services



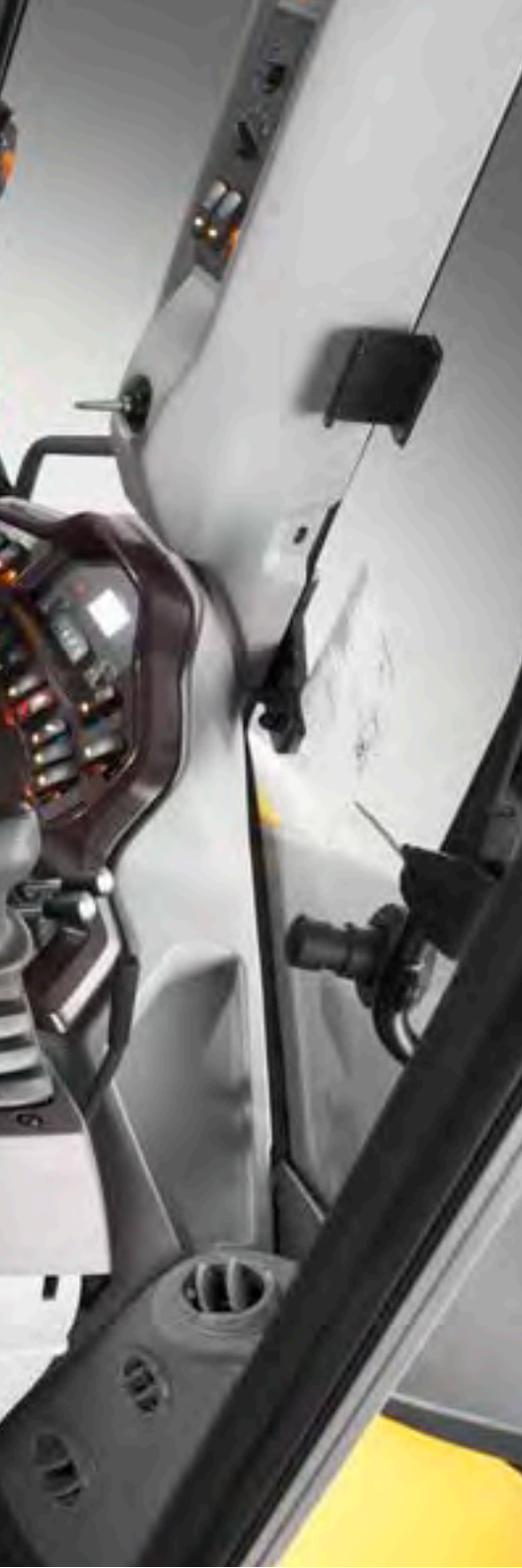
Volvo Care Cab

Take command with all-day ergonomic comfort features such as multi-adjustable seat, steering column and ergonomically placed controls. Increased interior space, cab ventilation through 13 vents and an AC option provide an operator-friendly environment. Excellent all-around visibility has been enhanced with more glass surface, narrow pillars and a sloping hood.



Work lights

Work lights mounted as standard on the roof of the cab are highly adjustable, enabling the complete illumination of the worksite.



Command centre.

Volvo is known as the market leader in comfort. The redesigned cab is now better than ever with ample amounts of personal storage space. The ergonomic layout, controls and instruments put you in command. All around visibility has been enhanced improving safety and productivity.

Personal cab storage

Lots of personal storage space options include 2 lockable compartments, one of which is cooled if machine is equipped with AC. Also 5 storage trays, a net pocket, roof shelves, cup holders and a phone holder.

Adjustable steering column

The optional Deluxe Cab features a steering wheel with both height and extension adjustments.



Cab dome light

When opening the left hand side cab door, the entrance is illuminated by a large, automatic dome light, providing safe entry and exit.

Seat turning

The cab features more room around the seat, making turning and position change from loader to excavator quicker and easier. More legroom around the controls.

Genuine Volvo Loader.

Go to work with the front loader. Pilot joysticks and front mechanical controls enable easy control and manipulation of the bucket and other front attachments. Smooth steering with a small turning radius provides excellent maneuverability on the jobsite.

Loader pilot/mechanical controls

The BL71B features a single-handed, multifunctional pilot-controlled loader joystick. Joystick with additional features includes machine direction, auto kick-down and transmission declutch.

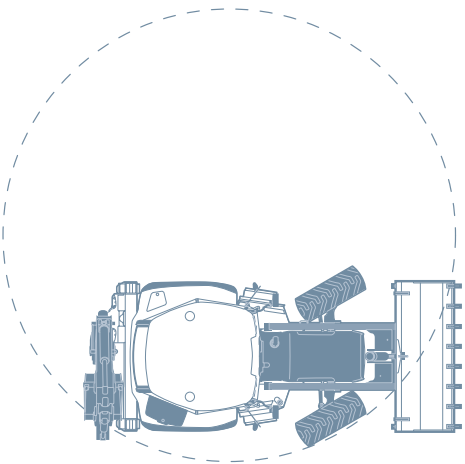
The BL61B features a mechanically-controlled levers. A second, separate lever is used to control a multi-purpose bucket (if installed).



Differential lock/rear fender design

The differential lock, engaged via foot switch, operates on the rear axle, providing maximum rear wheel grip on slippery ground.

Newly-designed rear fenders limit mud/debris projections on the cab windows. Rear fenders house a lockable storage for the washer bottle and the cab ventilation filter box.



Turning radius

Offers excellent maneuverability and positioning with a steering angle of 55° using both 18" and 20" tyres.



Loader performance

Loader performance with high breakout forces is delivered through a very durable loader linkage and powerful hydraulics. Precisely tuned controls enable efficient and productive loading.



Excavator performance

Excavator performance excels from a harmony of linkage design, flow sharing hydraulics and ergonomic controls. An excavator-style boom employs an arched, ridged design that is narrow and tall. Allows excellent trench visibility and for working around buried obstructions.

Excavator in control.

Excellent visibility due to the narrow boom and arm, along with high forces and excellent bucket rotation, enables productive trenching in any conditions. Large stabilizer feet provide improved stability even on soft ground.

205° bucket rotation

A cast bucket linkage and improved rotation to 205 degrees allows improved vertical trench digging and reduced machine repositioning.



Pilot controls

The infinite adjustable pilot towers ensure the operator finds the most comfortable working position for those long periods of operation.



Auxiliary hydraulic circuit

An optional auxiliary hydraulic circuit is available on both pilot and mechanical controls. A proportional, thumb operated roller with adjustable direction and flow ensures precision control of the attachment.



Stable performance

New large, rectangular stabilizer feet reduce ground pressure by 30% over previous models, providing good stability on soft ground. When street pads are fitted, pads can be rotated to extend their life.



Mechanical control levers

Mechanical excavator controls are designed to enable comfortable machine operation with angled levers for knee clearance when operating and rotating in the seat.



Mechanical knobs

Redesigned knobs allow for optimal grip and comfortable, all-day operation. The left hand side has an optional thumb roller, used when the dual auxiliary hydraulics are fitted.



Hydraulic performance

Flow-sharing hydraulics, fitted as standard, maintain pressure and flow for multi-functional control.

A hydraulic Thumb attachment can be fitted to improve machine versatility for precise and careful placement of rocks or other objects.

Power with precision.

Volvo hydraulic performance constantly adapts to your work needs. With flow-sharing oil delivery that matches the required force, you always have the speed and power you need.

Volvo engine

The well-proven, high-performance Volvo engine provides reliability, compliance with emissions regulations and fuel efficiency for environmental care.



Variable hydraulic pump (BL71B)

The load sensing, variable flow hydraulics enable power on demand and productivity even at low engine speeds for economical operation. Flow sharing hydraulics enables multiple machine function for maximum efficiency.



Two auxiliary hydraulic options

Single acting hydraulic line for one way direction attachments like hydraulic breakers.
Double acting hydraulic line for use with hydraulic breakers, thumb or tilting ditch bucket.



Fixed-flow hydraulic pump (BL61B)

Equipped with one, fixed-displacement hydraulic gear pump, combined with a flow sharing valve, to provide a simple and robust system.

Loaded at both ends.



Care Cab

We took legendary Volvo comfort and made it even better. More room, personal storage and a multiple of cab options.



Durability

Built strong and tough for a life of hard work.



Hydraulics

Finely-tuned hydraulics with flow sharing valves for optimal power and efficiency.



Serviceability

Easy ground level servicing with fewer greasing points enables fast daily maintenance.



Differential lock

Engaged by foot switch, locking the rear differential to provide maximum grip in wet and slippery conditions.

Stabilized

New larger stabilizer feet improves flotation. Rotatable street pads increase pad life.

Reliability

High-strength construction and high-quality steel. Designed and built by Volvo.

Stylish residual value

Stylish design and quality materials ensures low owning costs and pride of ownership.



In control

Ergonomic controls ensure that the machine can be operated to its true capability.



CareTrack*

CareTrack enables usage monitoring, geographical tracking and service reminders, for improved machine management.

Versatility

Power and control for any challenge, from deep trenching to heavy lifting and craning.

* In markets where CareTrack is available



Maintenance access

Save time with a one-piece tilting hood and grouped service and check points that are easily visible and accessible from ground level. Long greasing intervals for more uptime and lower operating costs.

Maintain your uptime.

Do your maintenance quickly with filters and grouped service points that are easy to see and reach from ground level. A large tool box also features an innovative design for even more storage, access and security.

Tool box

The tool / battery box is integrated in to the left hand side cab steps. The wide storage space and easy access with a gas strut retained opening, allows for large objects to be stored safely outside of the cab. Can be locked with the machine key or own padlock.



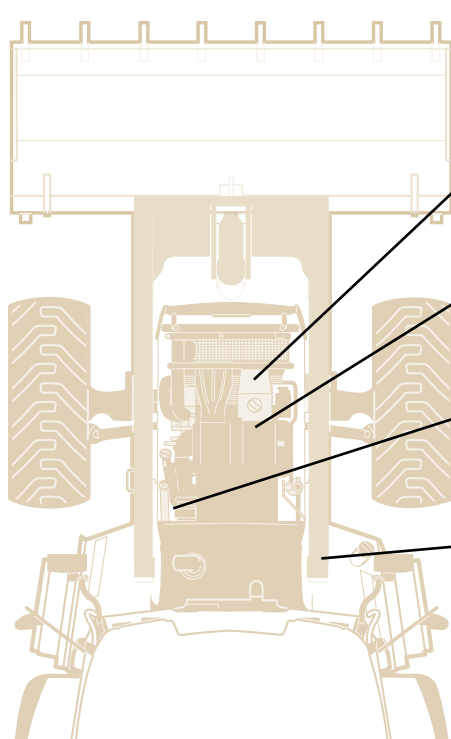
Fuse box access

The fuse box is located within the cab, for protection from dirt and moisture. Fuses can be easily and quickly accessed from behind a detachable access panel.



Tilting oil cooler

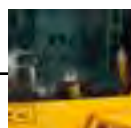
The hydraulic oil cooler, positioned in front of the radiator, can tilt forward for full, easy access. Tool free cleaning of the hydraulic oil cooler and radiator saves time.



Coolant expansion tank is easily accessible for quick daily maintenance check.



Accessible from ground level, the large, dual-element air filter is positioned above the engine.



Transmission and engine oil level dipsticks and filler points located on the left side of the engine.



Engine oil filter and fuel filters are located on the right side of the engine, accessible at ground level with the hood raised.

Top performance deserves support.

The day you receive your new Volvo Backhoe Loader is just the start of your working relationship with Volvo. From service and maintenance products to a wide range of options and attachments – Volvo has a comprehensive aftermarket portfolio to continuously add value to your business.

Volvo designed and built your machines, so no-one knows how to keep them working in top condition more than us. When it comes to your machine, our Volvo trained technicians are the experts.

Our technicians work with industry leading diagnostic tools and techniques, using only Genuine Volvo Parts to deliver the highest levels of quality and service. Talk to your Volvo dealer about how genuine Volvo services can best provide the service and maintenance plan that is the right fit for you and your business.



State-of-the-art machines require state-of-the-art support and your Volvo dealer can provide a catalogue of services designed to get the most out of your machine, helping you maximise uptime, productivity and residual value. Your Volvo dealer can provide a number of sophisticated support offers, including:

Service plans ranging from routine wear inspections, through to comprehensive maintenance and repair agreements.

Analysis and diagnostics to help you understand how your machine is running, highlight potential maintenance issues and identify where performance can be improved.



CareTrack*

Ask your dealer about getting your Backhoe Loader fitted with CareTrack, the state-of-the-art Volvo telematics system. CareTrack can give you the machine information needed for better planning and smarter working; such as daily usage reports, location reports and service maintenance reminders. You can save fuel. You can reduce costs. You can maximise profitability. You can with CareTrack.

* In markets where CareTrack is available

Versatility.



Hydraulic Loader Attachment Bracket

Volvo TPV hydraulic attachment bracket allows easy and fast attachments interchangeability. The attachment bracket with hydraulic locking pins is rugged and easy to operate. Precision fit and quality engineering with large, rounded hooks make it easy to guide the attachment into the bracket.



Hydraulic Quick Coupler

The Volvo Hydraulic Quick Coupler allows pin on interface attachments that can be connected and disconnected in standard position or face mode position. The coupler is designed not only for an excellent fit with Volvo backhoe loaders but is in line with the latest safety regulations. A mechanical Quick Coupler is also available.



Backhoe Part

Backhoe bucket

Fixed ditching bucket	mm	1 200	1 500
-----------------------	----	-------	-------

General Purpose Heavy Duty	mm	300	450
		610	910

General Purpose Standard Duty	mm	300	400
		450	610
		610	910

Backhoe Quick Coupler

Volvo mechanical quick coupler

Volvo hydraulic quick coupler

Hydraulic breaker

Hydraulic breaker HB440

Breaker HB440 tools

Loader Part

Loader bucket, direct pin-on

General Purpose Standard Duty m³ 1.0

General Purpose Heavy Duty m³ 1.0

General Purpose bucket with fork retention bracket m³ 1.0

Multi Purpose bucket with fork retention bracket m³ 1.0

Loader Attachment Bracket (LAB)

Volvo TPV hydraulic attachment bracket

Loader bucket, LAB

General Purpose Standard Duty m³ 1.0

Multi Purpose Standard Duty m³ 1.0

Bolt-on teeth

Bolt-on edges

Forks

Flip over pallet forks

Fork kit LAB mm 1 200

Specifications.

Engine	BL61B	BL71B
Low-emission engine conforming EPA Tier 3 and Stage IIIA regulations, direct-injection, turbocharged, 4 cylinders, 4.8l displacement, liquid-cooled Volvo diesel engine.		

Model	Volvo D5D CDE3		
Compression ratio	18.1:1		
Net power (ISO 9249 / DIN 6271) at rated engine speed	kW (hp)	62 (83) 68 (91)	68 (91) 73 (98)
Gross power (ISO 14396) at rated engine speed	kW (hp)	64 (86) 70 (94)	70 (94) 74.9 (100)
Rated speed	rpm	2 200	
Maximum torque net at 1600 rpm (ISO 9249/DIN 6271)	Nm	380 400	400 420

Electrical system			
Voltage	V	12	
Battery capacity	Ah	110	
Alternator current rating	A	95	

Hydraulic system			
Flow sharing system		•	•
Fix flow, gear pump		•	-
Variable flow, closed centre, load sensing, piston pump		-	•
Max. flow	l/min	112	160
Working pressure excavator	bar	250	
Working pressure loader	bar	220	250
Total system capacity	l	140	

Drivetrain			
Front axle			
Load rating - dynamic (*Heavy Duty axle)	kg	7 138 / 9 687*	9 687
Load rating - static (*Heavy Duty axle)	kg	17 845 / 24 218*	24 218
Max oscillation at wheel	°	16	
Rear axle			
Load rating - dynamic	kg	7648	
Load rating - static	kg	19120	
Differential locking (electro hydraulic control)	%	100	

Steering			
Hydrostatic load sensing steering with protected double acting single cylinder behind the front axle with remote grease fitting for axle pivot pin.			
Steering angle	°	55	
Turns to lock		4	
Turning radius between curbs with brakes / without brakes	m	3.46 / 4.41	3.62 / 4.40
Turning radius between walls with brakes / without brakes	m	4.97 / 5.70	5.01 / 5.75

Transmission			
Powershuttle mechanical gear box with four forward and four reverse fully synchronized gears or Powershift transmission with four forward and reverse speeds. Electro-hydraulic forward/reverse lever on steering column or switch on loader pilot control. Automatic mode is activated when fourth gear is engaged.			

Travel speed			
Powershuttle			
1st gear	km/h	5.8	6
2nd gear	km/h	9.2	9.6
3rd gear	km/h	19.5	20.8
4th gear	km/h	37	37.3
Powershift			
1st gear	km/h	5.9	6.1
2nd gear	km/h	9.5	9.9
3rd gear	km/h	20.2	21.5
4th gear	km/h	36.2	36.5

Brakes	BL61B	BL71B
Service brakes type: Multi-plate, oil-immersed, servo power-assisted, self adjusting outboard disc brakes. Parking brake type: External disc on input shaft.		
Number of brake discs per side	2	

Weight			
Operating weight min / max	kg	7080/9120	7740/9800

Service fill capacities			
Fuel system	l	150	
Hydraulic system	l	140	
Cooling system	l	22	
Hydraulic reservoir	l	48	
Engine oil (including filter)	l	14	
Front axle oil capacity (including differential and hubs)	l	8.1	
Rear axle oil capacity (including differential and hubs)	l	14.5	

Backhoe performance			
The curved excavator boom has a closed box-welded construction with fewer components and welds to guarantee a superior strength. The kingpost is composed of cast iron to allow flexible movement and swing. Extendible arm increases the reach by 1 m.			

Standard arm			
Bucket width	mm	610	
Bucket capacity	m ³	0.2	
Bucket breakout force ISO / SAE J1179	kN	55.7 / 50	62.4 / 56
Arm breakout force SAE J1179	kN	32.6	38.8
Bucket rotation	°	205	

Extendible arm			
Bucket width	mm	610	
Bucket capacity	m ³	0.2	
Bucket breakout force retracted or extended ISO / SAE J1179	kN	55.7 / 50	62.4 / 56
Arm breakout force retracted / extended SAE J1179	kN	32.6 / 24.3	38.8 / 28.9
Bucket rotation	°	205	

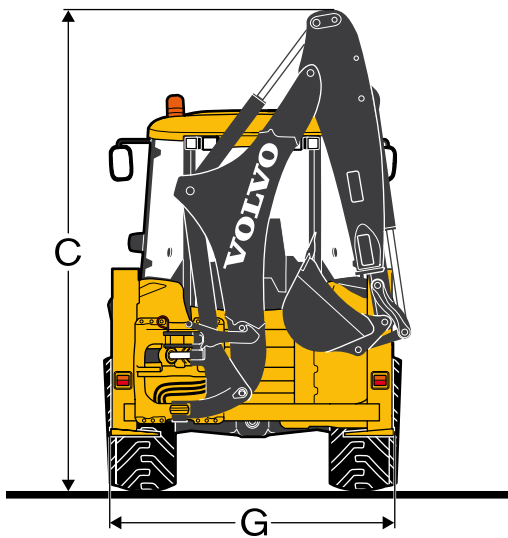
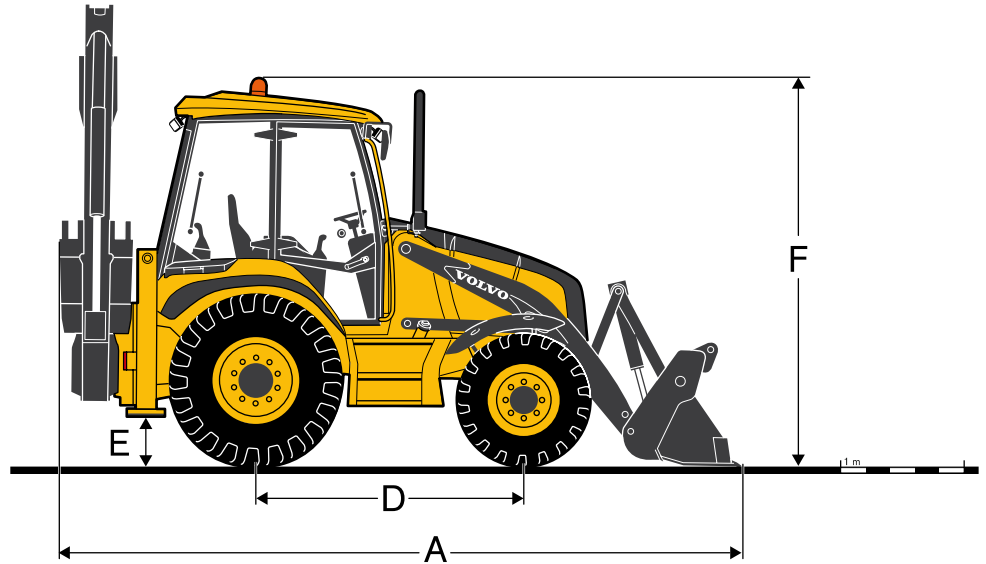
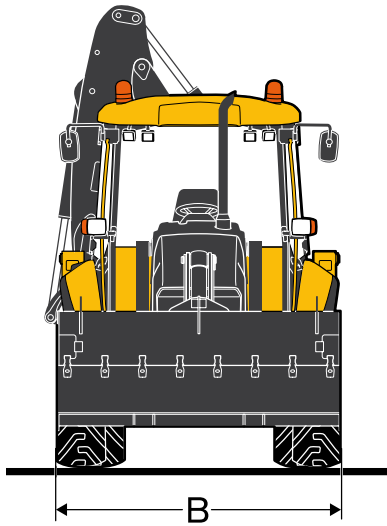
Loader performance			
Volvo patented loader linkage features a single cylinder and is self leveling with float and return-to-dig. Loader is box weld constructed with large diameter cross member and friction welded dual lift cylinders.			

Lift capacity at full height (Bucket 1m ³ , 2350 mm, pin on) GP / MP	kg	2 910 / 2 630	3 390 / 3 130
Bucket breakout force (Bucket 1m ³ , 2350 mm, pin on) GP / MP	kN	45.3 / 43.7	57.1 / 55.5
Loader arm breakout force (Bucket 1m ³ , 2350 mm, pin on) GP / MP	kN	48.5 / 45.5	55.4 / 52.9

Tires (Standard)			
Front		340/80x18	400/70x20
Rear		440/80x28 - 480/80x26	

Noise level			
Inside cab	dB(A)	74	
Outside cab	dB(A)	102	





Specifications.



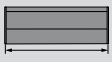

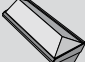
Dimensions (standard configuration)

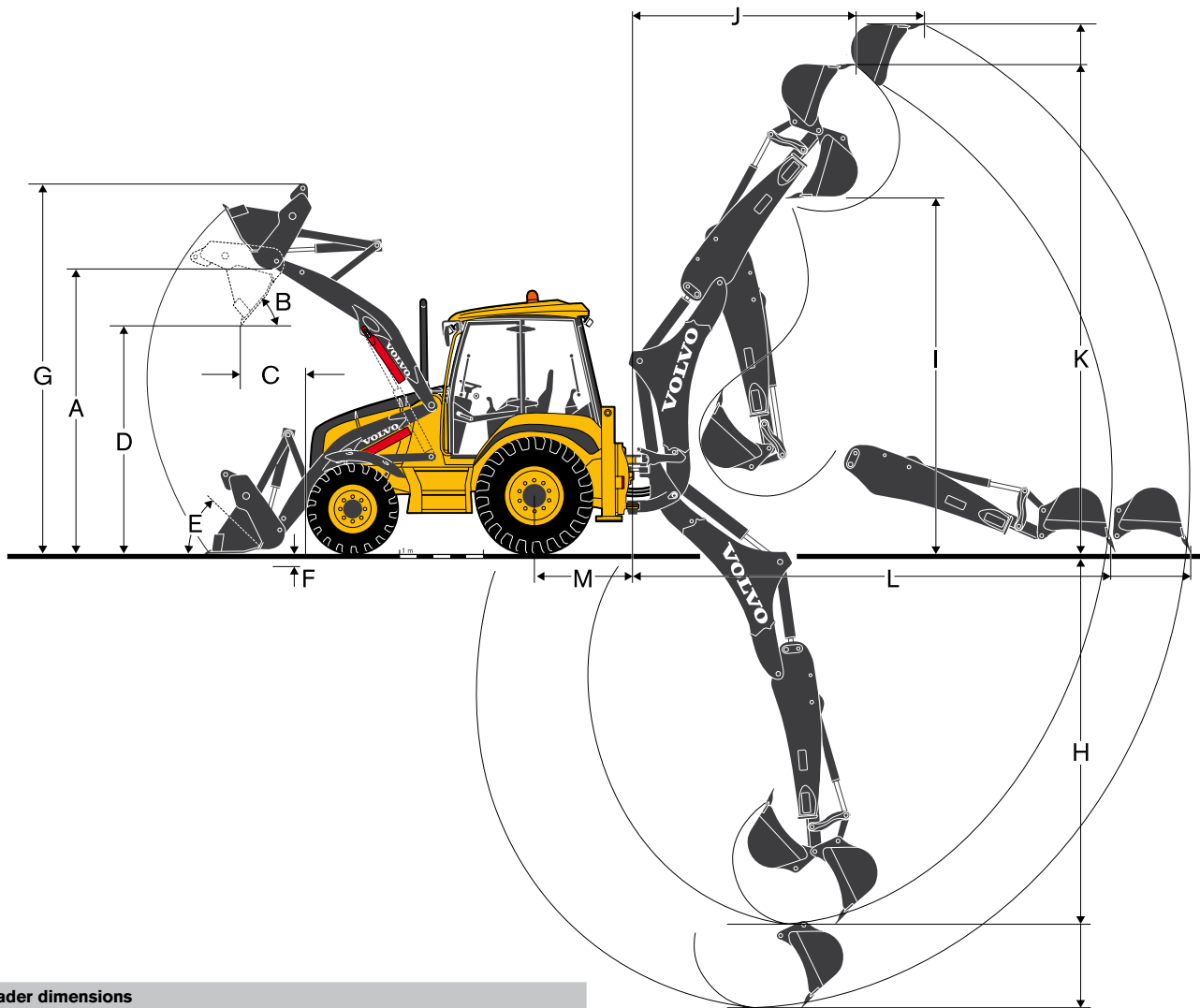
		BL61B	BL71B
A - Overall length	m	5.83	5.81
B - Overall width	m	2.45	2.45
C - Overall height	m	3.77	3.75
D - Wheelbase 4WD	m	2.18	2.19
E - Ground clearance	m	0.37	0.36
F - Height to top of ROPS (cab/canopy)	m	2.96	2.96
G - Stabiliser overall width	m	2.30	2.30

Excavator buckets

				
	Width	Weight	Capacity	Nbr. Teeth
Standard Duty backhoe bucket	300 mm	93 kg	0.08 m ³	3
	400 mm	100 kg	0.12 m ³	3
	450 mm	109 kg	0.13 m ³	3
	610 mm	125 kg	0.19 m ³	4
	910 mm	163 kg	0.29 m ³	5
Heavy Duty backhoe bucket	300 mm	117 kg	0.08 m ³	3
	450 mm	136 kg	0.14 m ³	4
	610 mm	166 kg	0.2 m ³	5
Fixed ditching backhoe bucket	910 mm	214 kg	0.33 m ³	6
	1 200 mm	135 kg	0.16 m ³	0
	1 500 mm	158 kg	0.21 m ³	0

Loader buckets

			
	Width	Weight	Capacity
General Purpose bucket	2 350 mm	475 kg	1.0 m ³
Multi Purpose bucket	2 350 mm	790 kg	1.0 m ³



Loader dimensions

		BL61B	BL71B
A - Height to loader hinge pin	m	3.40	3.46
B - Dump angle (GP bucket, 1m ³ , pin on)	°	50	49
C - Dump reach at 45° (GP bucket, 1m ³ , pin on)	m	1.06	1.01
D - Dump height at 45° (GP bucket, 1m ³ , pin on)	m	2.80	2.86
E - Bucket rollback at ground level (GP bucket, 1m ³ , pin on)	°	44	44
F - Maximum digging depth (GP bucket, 1m ³ , pin on)	m	0.22	0.16
G - Maximum operating height (MP bucket, 1m ³ , pin on)	m	4.41	4.46
Max. grading angle (GP bucket, 1m ³ , pin on)	°	116	117

Backhoe dimension - Standard arm

		BL61B	BL71B
H - Maximum digging depth (SAE)	m	4.26	4.29
- Digging depth SAE (0.61 m) flat bottom	m	4.23	4.27
I - Loading clearance	m	3.94	3.91
J - Loading reach at maximum height	m	2.55	2.61
K - Operating height	m	5.67	5.63
L - Reach from swing post at ground level	m	5.86	5.86
M - Reach from rear axle	m	7.17	7.17

Backhoe dimension - Extendible arm

		BL61B	BL71B
H - Maximum digging depth (SAE) Ret	m	4.27	4.29
- Maximum digging depth (SAE) Ext	m	5.32	5.35
- Digging depth SAE (0.61 m) flat bottom Ret	m	4.23	4.27
- Digging depth SAE (0.61 m) flat bottom Ext	m	5.29	5.32
I - Loading clearance Ret	m	3.95	3.92
- Loading clearance Ext	m	4.57	4.53
J - Loading reach at maximum height Ret	m	2.54	2.60
- Loading reach at maximum height Ext	m	3.41	3.48
K - Operating height Ret	m	5.67	5.63
- Operating height Ext	m	6.29	6.25
L - Reach from swing post at ground level Ret	m	5.86	5.86
- Reach from swing post at ground level Ext	m	6.83	6.83
M - Reach from rear axle Ret	m	7.17	7.17
- Reach from rear axle Ext	m	8.14	8.14
Swing torque	kN	26	26
Maximum digging depth	m	6.03	6.03

Equipment.

STANDARD EQUIPMENT

Engine

Volvo D5D (4.8 l) turbocharged diesel
 83 SAE Net hp (62kW) / Gross 86 hp (64kW) - BL61B
 91 SAE Net hp (68kW) / Gross 94 hp (70kW) - BL71B
 meets EPA Tier 3 / Stage 3A compliance requirements
 Engine fan guard
 Ground line fuel fill with 150 liter capacity
 Front grill
 Tilting cooler
 Flip-open, rear-tilting, one-piece engine hood for ease of service

Electrical System

Battery, 690 CCA
 Alternator 95 Amp.

Hydraulic System

"Flow Sharing" System
 Hydraulic oil cooler
 Constant flow on loader MP hydraulics (BL71B)

Driveline

Four wheel drive
 Differential lock
 Fast reversing shuttle, all gears
 Torque convertor
 Four-speed synchromesh transmission
 Neutral transmission button on loader joystick - BL71B
 Transmission de-clutch on loader joystick - BL71B
 Brake pedals operable either independently or interlocked
 External parking brake
 4WD assist braking above 20 km/h
 Power steering
 Tyres bias or radial
 Throttles, hand and foot

Loader

Arms with dual lift cylinders and single, center-mounted dump cylinder, with pilot-operated joystick (BL71B) or mechanical levers (BL61B)
 Transmission disconnect and forward/reverse transmission direction change buttons on joystick (BL71B)
 Hydro-mechanical self-leveling system, loader arm float and bucket return-to-dig

Backhoe

Backhoe, side-shift, excavator - two lever control
 Electro-hydraulic boom transport lock
 Sideshift, locking
 Swing transport lock
 2 mechanical levers ISO / SAE or X pattern

Cab (ROPS / FOPS)

Refer to Cab configuration matrix

Service and Maintenance

Large tool box - external
 50-hour greasing intervals
 Gauges:

- Coolant temperature
 - Fuel level
 - Hour recorder
- Warning and control lamps:
- Preheating element engine,
 - High coolant temperature engine,
 - Low oil pressure engine,
 - Air filter engine,
 - High oil temperature transmission,
 - Service indicator,
 - Battery charging,
 - Hydraulic oil filter,
 - High hydraulic oil temperature,
 - Low hydraulic oil temperature,
 - Warning and control lamps

Horn

Warning buzzer

Integrated safety strut

OPTIONAL EQUIPMENT

Engine

91 SAE Net hp (68kW) / Gross 94 hp (70kW) - BL61B
 98 SAE Net hp (73kW) / Gross 100 hp (74,9kW) - BL71B
 Cyclonic pre-filter

Electrical System

Battery, additional

Hydraulic System

Hand held hydraulic
 Lockable hydraulic tank cap
 Hydraulic breaker circuit
 Backhoe auxiliary bi-directional hydraulics combined with single acting
 Mineral hydraulic oil VG68 for high ambient temperature

Driveline

Fully automatic powershift transmission
 Speedometer for powershuttle transmission
 Drive shaft guard
 Front fenders
 Front mud guards
 Boom suspension system
 20" front tyres

Loader

Loader safety valve

Backhoe

Extendible arm
 Pilot controls SAE or ISO in lieu of mechanical controls
 SAE backhoe and ISO excavator joystick pattern switchable by electric inside cab switch (BL71B)
 Lifting eye
 Boom and arm safety valves

Others

Reversing alarm
 Additional hour recorder
 Stabilizer street pads
 Rear lights guard
 King post guard
 Special colours
 Cold climate preparation (engine block heater, double battery and VG32 hydraulic oil)

Backhoe Attachments

Hydraulic Quick Coupler
 Mechanical Quick Coupler
 General Purpose buckets Standard Duty
 General Purpose buckets Heavy Duty
 Fixed ditching buckets
 Hydraulic thumb*
 Hydraulic breaker

Loader Attachments

Hydraulic Loader Attachment Bracket
 General Purpose loader buckets
 Multi Purpose loader buckets
 Flip-over forks for General or Multi Purposes loader buckets
 Fork kit for Loader Attachment Bracket
 Log grapple for Loader Attachment Bracket
 High Tip bucket for Loader Attachment Bracket
 Side Tip bucket for Loader Attachment Bracket

BHL B cab configuration

- = Standard
- = Option
- = Not available

Doors and windows

	Canopy	Basic	Standard	Deluxe
Left door only	-	•	•	•
Two doors (includes plastic door trim)	-	•	•	•
Opening rear side windows	-	•	•	•
Opening front side windows	-	•	•	•
All tinted glass	•	•	•	•
Front windscreen + wiper	◦	•	•	•
One-piece opening rear window	-	•	•	•

Roof

Plastic Roof	•	•	•	•
Headliner	-	•	•	•
Power socket x 2 – External Rotating beacon switch	•	•	•	•

Seat

Seat - non suspended - vinyl	◦	◦	-	-
Seat - Std (vinyl, mechanical)	◦	◦	-	-
Seat - Std (cloth, mechanical)	-	-	-	-
Seat - Comfort (cloth, air)	-	-	•	•
Seat - Deluxe (cloth, air, with back rest)	-	-	•	•
Arm rest	◦	◦	•	•
Seat belt - Wide (3")	◦	◦	◦	◦

Steering column

Fixed steering column	◦	•	-	-
Tilt steering column	◦	◦	•	-
Tilt and telescopic steering column	-	-	-	•
Steering wheel knob	◦	◦	◦	◦

Visibility

Interior rearview mirror	•	•	•	•
Additional interior rearview mirror*	◦	◦	◦	◦
External rearview mirrors	•	•	•	•
RHD roading lights	◦	◦	◦	◦
LHD roading lights	◦	◦	◦	◦
Rear work lights x 2 (outer position)	•	•	•	•
Front work lights x 2 (outer position)	•	•	•	•
Additional lights x 4 (inner position)	◦	◦	•	•
Side mudguards	-	◦	◦	•
Dome light	-	•	•	•

Safety

Anti theft**	•	•	•	•
Vandal guard	•	-	-	-
Support for fire extinguisher	◦	◦	◦	◦
Support bracket for first aid kit (aid kit not provided)	◦	◦	◦	◦
Caretrack	◦	◦	◦	◦

Other

Coat hook	•	•	•	•
Mobile phone support	•	•	•	•
Open left hand storage	•	•	-	-
Left hand storage lid	◦	-	•	•
Front right hand side storage lockable	•	•	•	•
Air conditioning with cooled front storage	-	◦	◦	◦
Rear storage net pocket	-	-	•	•
Rubber mats for the storages	-	-	•	•
Roof shelves	-	-	-	-
Power socket	•	•	•	•
Sun visor	•	•	•	•
Speedometer Km/h - Mph (Powershuttle)	◦	◦	◦	◦
Additional hour meter	◦	◦	◦	◦
Radio preparation (antenna + speakers + support + 2nd power socket)	-	◦	◦	•
Radio + CD player (MP3 con)	-	◦	◦	◦

* 2 interior rearview mirrors with legals EU - CE

** No key pad. Function included in right instrument panel display

Not all products are available in all markets. Under our policy of continuous improvement, we reserve the right to change specifications and design without prior notice. The illustrations do not necessarily show the standard version of the machine.

SELECTION OF VOLVO OPTIONAL EQUIPMENT

Cab configurations



Hydraulic thumb



Powershift



Cab side mudguards



Air conditioning with cooled front storage



Additional battery



VOLVO

Volvo Construction Equipment

www.volvoce.com